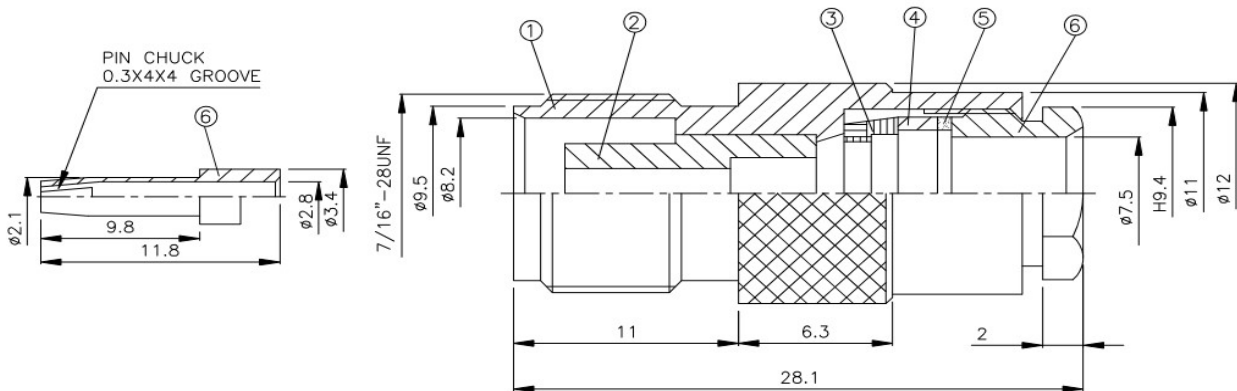


T-661

TNC Lötakupplung / RG213, RF400



NO	DESCRIPTION	MATERIAL	Q' TY	FINISH
1	BODY	BRASS	1	NICKEL
2	INSULATION	DELFIN	1	DELFIN
3	SLEEVE	BRASS	1	NICKEL
4	GASKET	RUBBER	1	RUBBER
5	WASHER	BRASS	1	NICKEL
6	PIN	BRASS	1	GOLD